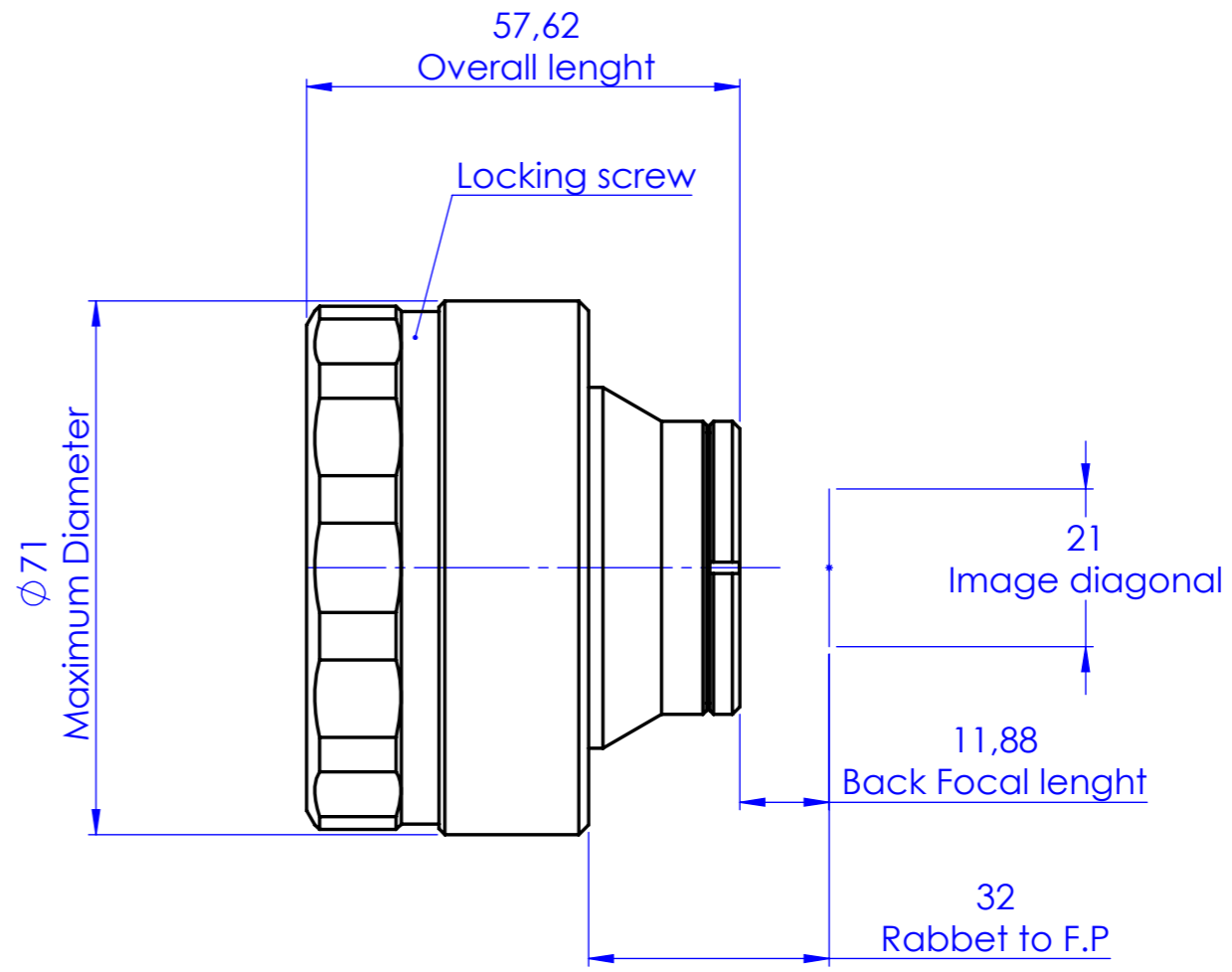
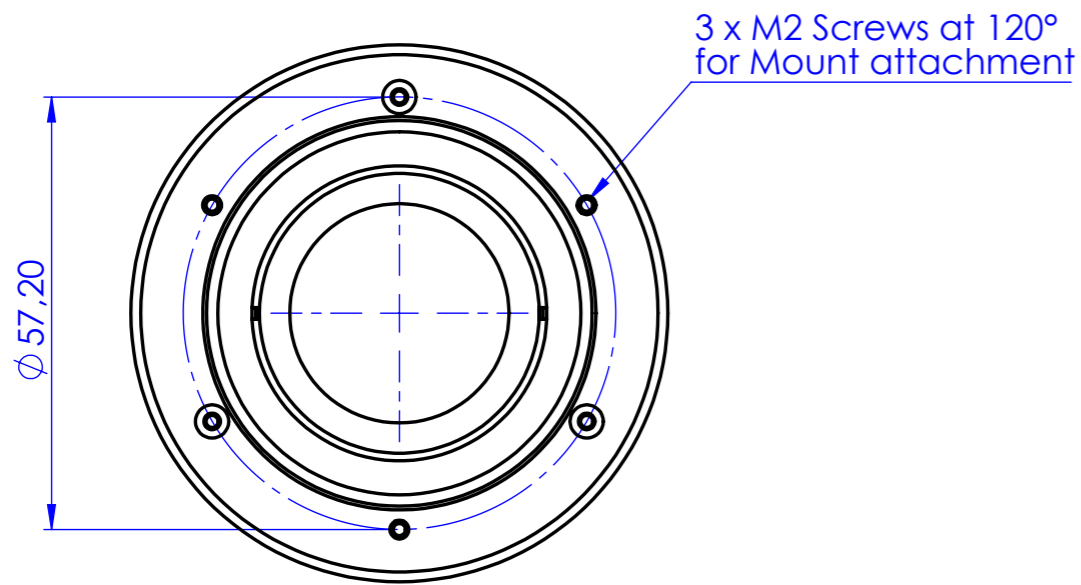


1 2 3 4 5 6 7 8

Rev No.	Description	Date	Name



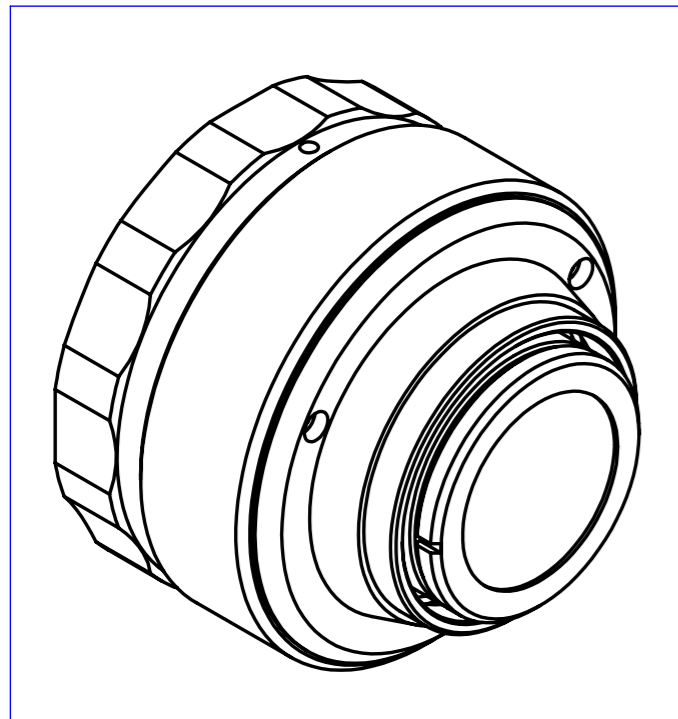
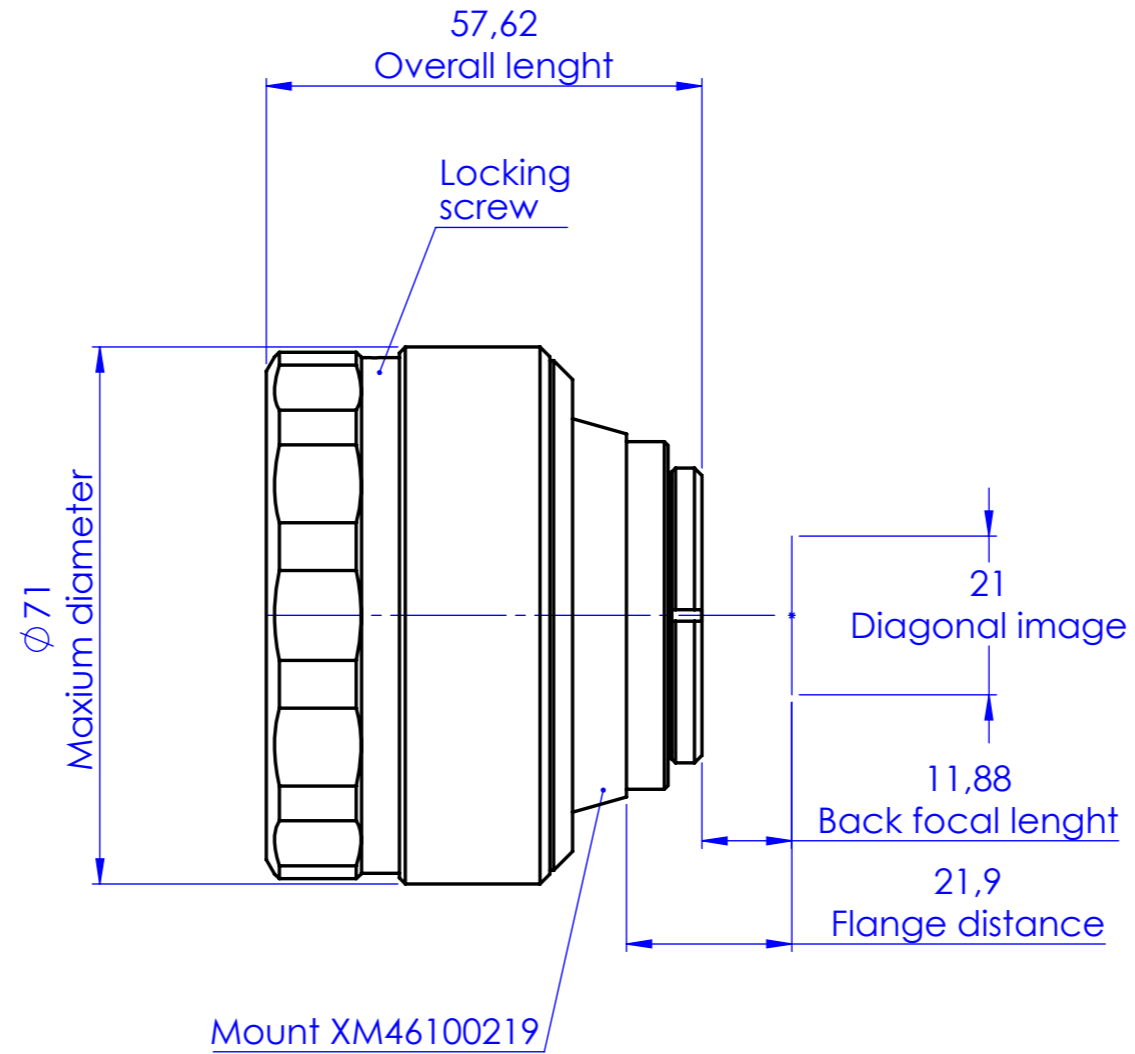
Material	N.A			Mass	300 g	Scale	1:1	
Surface treatment	N.A			Part No.	CO71292			
Geometrical tolerance (ISO 2768-2)			Class	K	Description LW03514			
Linear tolerance (ISO 2768-2)			Class	m				
0.5	>3±	>6±	>30±	>120	>400±	>1000	>2000	Undimensioned bevels 0.5x45° Undimensioned radii R 0.5
±3	6	30	120	±400	1000	±2000	±4000	
±0.1	±0.1	±0.2	±0.3	±0.5	±0.8	±1.2	±2	
			Date	Name	Drawing No.	Sheet		
			Designed	17/02/12	A.Vismara	DP71292-A	1/2	
			Drawn	10/03/16	P.Rodella			
all dimensions are in mm OPTO ENGINEERING S.r.l. - Mantova Italy - Tel. +39 0376 699111 - www.opto-engineering.com			Checked	Secret and confidential - All rights reserved - No copy, dissemination or circulation is allowed unless specifically authorized in writing by OPTO ENGINEERING S.r.l. - Any violation shall be legally prosecuted.				

1 2 3 4 5 6 7 8

0 1 2 3 4 5 6 7 8 9 10

1 2 3 4 5 6 7 8

Rev No.	Description	Date	Name



Material	N.A			Mass	360 g	Scale	1:1
Surface treatment	N.A			Part No.	CO71292		
Geometrical tolerance (ISO 2768-2)			Class	K	Undimensioned bevels		
Linear tolerance (ISO 2768-2)			Class	m	0,5x45°		
0,5 ±3	>3± 6	>6± 30	>30± 120	>120 ±400	>400± 1000	>1000 ±2000	>2000 ±4000
±0.1	±0.1	±0.2	±0.3	±0.5	±0.8	±1.2	±2
Undimensioned radii			R 0.5		Description		
LW03514			Drawing No.		DP71292-A		
			Date	Name	Sheet		
Designed 17/02/12 A.Vismara Drawn 10/03/16 P.Rodella Checked			Drawing No. DP71292-A Sheet 2/2				
all dimensions are in mm OPTO ENGINEERING S.r.l. - Mantova Italy - Tel. +39 0376 699111 - www.opto-engineering.com							
Secret and confidential - All rights reserved - No copy, dissemination or circulation is allowed unless specifically authorized in writing by OPTO ENGINEERING S.r.l. - Any violation shall be legally prosecuted.							

1 2 3 4 5 6 7 8

0 1 2 3 4 5 6 7 8 9 10